

Rittal – The System.

Faster – better – everywhere.



03 5278 8222

sales@factorycontrols.com.au

www.factorycontrols.com.au

65 Douro Street, North Geelong Victoria 3215

► Technical System Catalogue – Compact Enclosures AE



ENCLOSURES

POWER DISTRIBUTION

CLIMATE CONTROL

IT INFRASTRUCTURE

SOFTWARE & SERVICES



FRIEDHELM LOH GROUP

Compact enclosures AE



The original – with global approvals and available in stock for immediate shipping. Countless practical sizes and functional system accessories for all common applications make the AE compact enclosure the standard solution.

- 1** Optimum corrosion protection due to triple-treated housing surfaces
- 2** Permanently high protection category due to seamlessly foamed-in PU seal
- 3** Perfect protection from multi-folded enclosure protection channel preventing the ingress of dirt and water when the door is opened
- 4** Effortless wall-mounting thanks to rear panel with holes, prepared for wall mounting bracket or direct wall mounting
- 5** Maximum flexibility for cable entry with sheet steel gland plates for self-population or option to exchange for prepunched plates
- 6** Individual depth population with rails for interior installation
- 7** Quick-swap door hinge with no need for machining in single-door enclosures
- 8** Perforated mounting strips on the door enable quick and easy mounting of accessories such as support strips or cable conduit holders

Compact enclosures AE

Internationally recognised approvals and certifications

Rittal products boast a wealth of internationally recognised approvals and certifications and comply with the most exacting and globally recognised quality standards.

- All components are subjected to the most stringent testing in accordance with international standards and regulations
- The consistently high product quality is ensured by a comprehensive quality management system
- Regular production inspections by external test institutes guarantee compliance with global standards

All current approvals and certifications can be found on the Rittal website.



CAD data

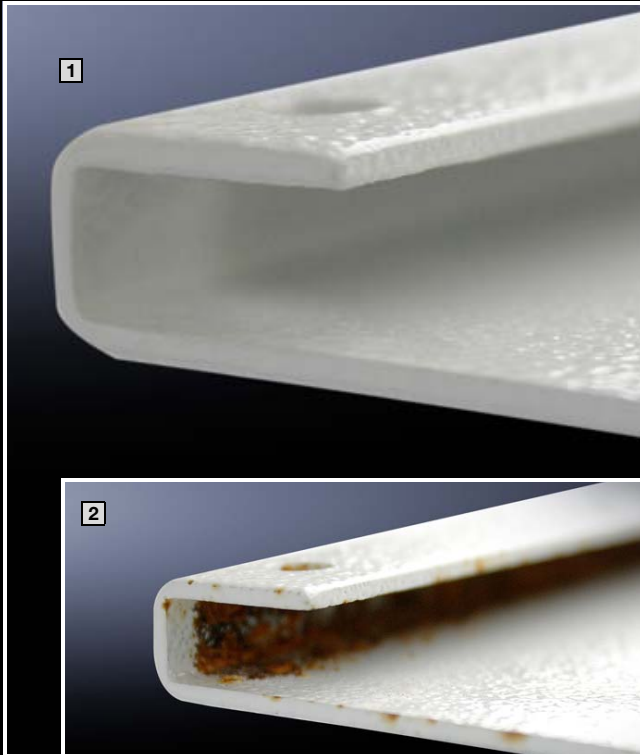
Using the RiCAD 3D online CAD component library, Rittal offers engineering, climate control, IT and power solutions for the widest range of enclosures and applications from a single source.

With professional data for every CAD system, the efficiency of your system design is increased and assembly times are reduced.

- CAD data is also available as an app for reference on the move or from the Rittal website
- Data can be requested via e-mail
- Choose from over 70 CAD formats
- Direct link to the relevant page in the latest Rittal Catalogue for an "all-in-one" solution
- Optimum planning confidence through accurate and validated drawings
- By dispensing with the need for lengthy remodelling, time-savings are achieved



Compact enclosures AE



Optimum surface protection

Triple surface treatment provides optimum protection against corrosion.

Maximum quality is achieved in three stages:

1st phase: Nanoceramic primer

2nd phase: Electrophoretic dipcoat-priming

3rd phase: Textured powder-coating

1 Plate with triple surface treatment (Rittal Standard) after a 180-hour salt spray mist test

2 Metal powder-coated only following a 180-hour salt spray mist test



PU foam seal

- Seamlessly foamed-in
- Temperature resistant from -20°C to $+80^{\circ}\text{C}$
- May be over-painted and briefly stove-enamelled at up to 180°C



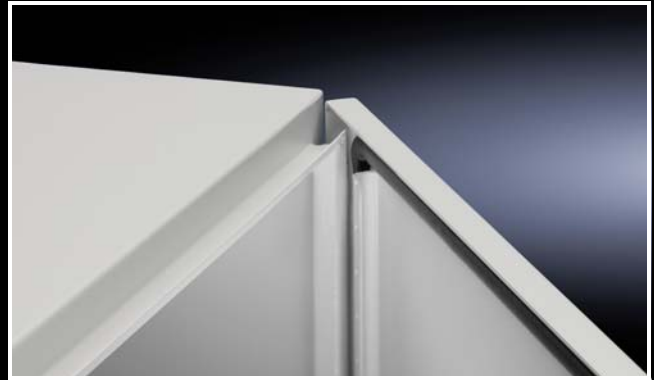
Earthing

- Easily accessible earthing bolt on the body
- Door earthing via perforated door strip
- Earth straps in various cross-sections and lengths available as accessories

Compact enclosures AE

Housing protection channel

- Specifically designed to remove water, so that moisture does not collect against the seal
- Housing return edge with continuous protection channel prevents the ingress of dust and dirt when the door is opened
- Multi-folded protection channel also ensures a high level of stability with the housing fully opened
- Additional protection for the high-quality PU foam seal



Mounting plate

- Simple one-person assembly even with free-standing enclosures, by screwing a combination bolt and lock nut into position



Perforated door strips

- For universal door installations
- For secure cable routing from the door to the enclosure



Interchangeable door hinge

- The door hinge is easily swapped to the opposite side in single-door enclosures
- No machining required, since the holes are pre-integrated and sealed with stoppers



Compact enclosures AE



Gland plate

- Sheet steel gland plate for simple machining, supplied loose
- Integrated, automatic potential equalisation via earthing inserts
- May be exchanged for gland plates with metal or plastic knockouts for simple, fast cable routing



Mounting block

- For the assembly of punched rails, top hat rails and C rails (e.g. for a second mounting level)
- For secure cable routing from the door to the enclosure



Lock

- Large range of different lock systems
- Cam can be exchanged for:
 - Mini comfort handle or Ergoform S handle
 - Plastic handles
 - T handles
 - Lock inserts
 - Lock cylinder inserts
- Many other variants such as:
 - Sealed lock cover
 - Cover for padlocks/multi-locks
 - Semi-cylinder lock possible
- May be exchanged for Ergoform S handle

Compact enclosures AE

Equipped for practical use

Depending on the chosen version, AE compact enclosures are prepared for:

- Use of eyebolts
- Wall mounting
- Base/plinth mounting



Design variants

AE compact enclosures are also available in the following variants:

- Stainless steel
- For applications in potentially explosive zones
- Machine-integrated compact enclosures

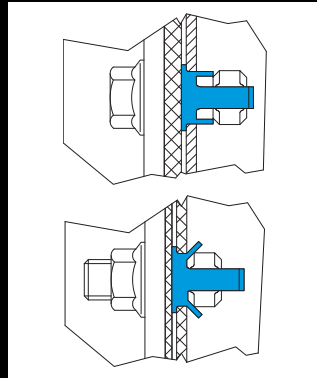


Accessories



Interior installation rail

- Retrospective interior installation without machining
- Allows time-saving mounting on the sides, base and roof areas
- Variable with two rows of TS 8 system punchings, creates additional mounting space
- TS 8 system punchings allow TS 8 accessories to be used
- Automatic potential equalisation
- May still be fitted after installation of the mounting plates
- Mounting option for door-operated switch and door stay



Wall mounting brackets

- For fast, time-saving attachment to the enclosure from the outside
- Simply insert the expandable dowel into the housing hole from the outside, and screw-fasten the wall bracket from the outside. Transport the pre-configured housing to the installation site and secure the wall bracket without opening the housing



Baying kit

- For baying AE wall-mounted housings
- Special screws and nuts for fast, simple assembly without thread-tapping
- Sealing foam with a pre-defined size ensures a permanent seal between the enclosures
- Comprised of bayable self-adhesive sealing elements and corner pieces, for individual adaptation to various housing sizes

Accessories

Rain canopy

- Reinforces protection against the influence of weather in protected outdoor areas
- Roof slope prevents liquid from collecting



Door variants

- Coordinated range of viewing windows and operating panels
- Glazed doors with full viewing window to replace the standard door
- Operating panel to accommodate buttons, switches or display devices
- Viewing window for display panel to protect the installed equipment



Cable entry

- Gland plates with knockouts in sheet steel and plastic
- Gland plates with membranes for a broad spectrum of cable diameters
- Connector gland for fitting preassembled connectors with a high protection category
- Metric cable glands made from brass and plastic



Rittal – The System.

Faster – better – everywhere.

- Enclosures
- Power Distribution
- Climate Control
- IT Infrastructure
- Software & Services

PROUDLY DISTRIBUTED BY



03 5278 8222

sales@factorycontrols.com.au
www.factorycontrols.com.au
65 Doura Street, North Geelong Victoria 3215

ENCLOSURES

POWER DISTRIBUTION

CLIMATE CONTROL

IT INFRASTRUCTURE

SOFTWARE & SERVICES

FRIEDHELM LOH GROUP

