

Product datasheet

Specifications



10.1 inch widescreen, Basic model, 1 serial port, embeddedRTC

HMIGXU5500

Main

| | |
|---------------------------|----------------------------|
| Range of product | Harmony Easy GXU |
| Product or component type | Advanced touchscreen panel |
| Display type | LCD touch screen |
| Display colour | 65536 colours |
| Display resolution | 800 x 480 pixels WVGA |
| Display size | 10.1 inch |

Complementary

| | |
|----------------------------|--|
| Backlight lifespan | 20000 hours |
| [Us] rated supply voltage | 24 V DC |
| Software designation | Vijeo Designer Basic configuration software |
| Memory description | Internal, 32 MB for application Internal DDR, 128 MB Internal, 128 kB for backup |
| Integrated connection type | COM1 serial link: 9-way male SUB-D connector, RS422/RS485 USB type mini B |
| Cut-out dimensions | 255 x 185 mm |

Environment

| | |
|---------------------------------------|--------------------|
| Quality labels | CE |
| Ambient air temperature for operation | 0...50 °C |
| Ambient air temperature for storage | -20...60 °C |
| IP degree of protection | IP65 (front panel) |

Packing Units

| | |
|------------------------------|---------|
| Unit Type of Package 1 | PCE |
| Number of Units in Package 1 | 1 |
| Package 1 Height | 9.2 cm |
| Package 1 Width | 23.7 cm |
| Package 1 Length | 32.6 cm |

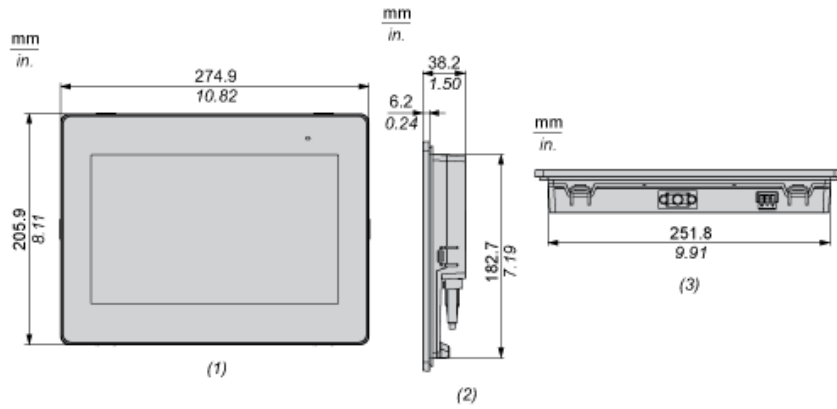
| | |
|------------------------------|-----------|
| Package 1 Weight | 1.48 kg |
| Unit Type of Package 2 | S04 |
| Number of Units in Package 2 | 7 |
| Package 2 Height | 30 cm |
| Package 2 Width | 40 cm |
| Package 2 Length | 60 cm |
| Package 2 Weight | 11256.5 g |
| Unit Type of Package 3 | P12 |
| Number of Units in Package 3 | 84 |
| Package 3 Height | 95 cm |
| Package 3 Width | 80 cm |
| Package 3 Length | 120 cm |
| Package 3 Weight | 144078 g |

Offer Sustainability

| | |
|----------------------------|---|
| Sustainable offer status | Green Premium product |
| REACH Regulation | REACH Declaration |
| EU RoHS Directive | Pro-active compliance (Product out of EU RoHS legal scope) EU RoHS Declaration |
| Mercury free | Yes |
| China RoHS Regulation | China RoHS declaration |
| RoHS exemption information | Yes |
| Environmental Disclosure | Product Environmental Profile |
| Circularity Profile | End of Life Information |
| Upgradeability | Upgradeable through digital modules |

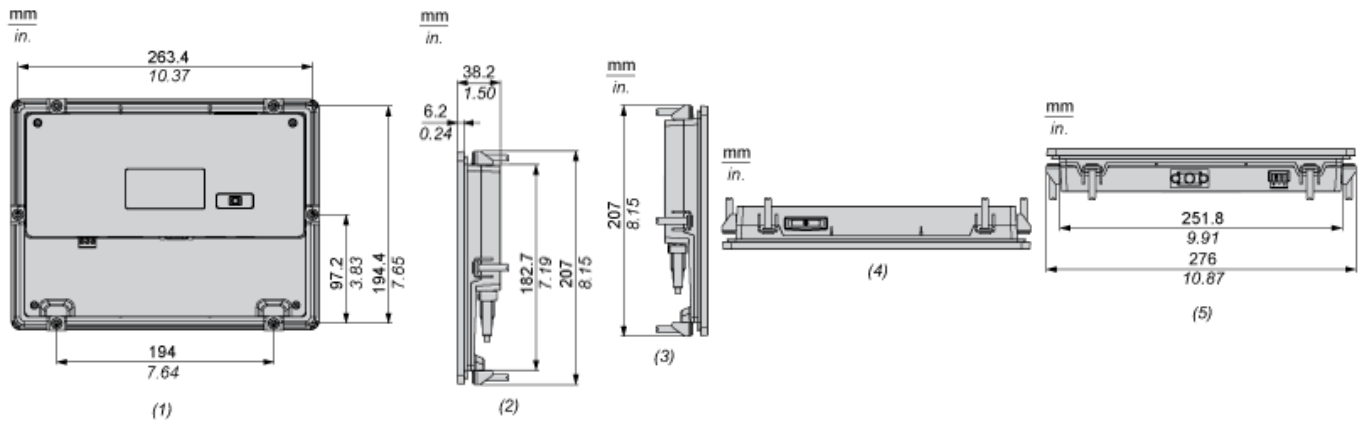
Dimensions

External Dimensions



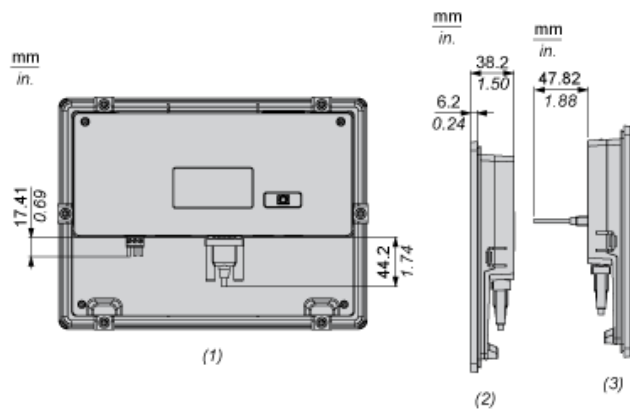
- (1) Front
- (2) Right
- (3) Bottom

Installation with Installation Fasteners



- (1) Rear
- (2) Right
- (3) Left
- (4) Top
- (5) Bottom

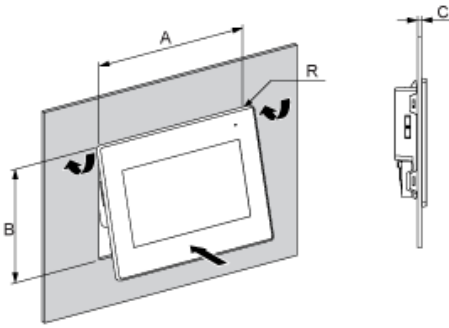
Dimensions with Cables



- (1) Rear
- (2) Right
- (3) Left

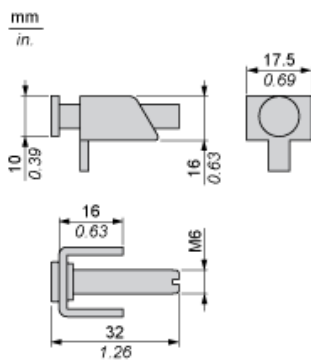
Mounting

Panel Cut Dimensions



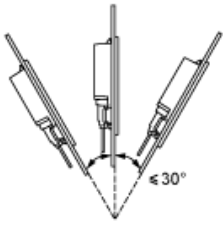
| A | | B | | C | | R | |
|-------------------|------------------------|-------------------|-----------------------|-------|-------------|-------|-----------|
| mm | in. | mm | in. | mm | in. | mm | in. |
| 255 ^{±1} | 10.04 ^{±0.04} | 185 ⁺¹ | 7.28 ^{+0.04} | 1...5 | 0.04...0.19 | 3 max | 0.12 max. |

Installation Fasteners Dimensions



Installation Requirements

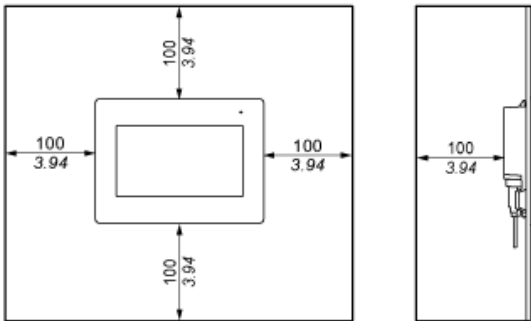
Mounting Angle



When installing the panel in a slanted position, and the panel face inclines more than 30°, the ambient temperature must not exceed 40 °C (104 °F).

Clearance

$\frac{\text{mm}}{\text{in.}}$



Recommended replacement(s)